

SPECIFICATION

A: MATERIAL:

- 1.BODY: PA66
- 2.TERMINAL: Cu PLATED Sn

B: CHARACTERISTICS:

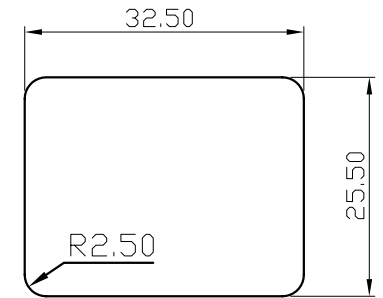
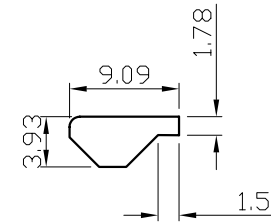
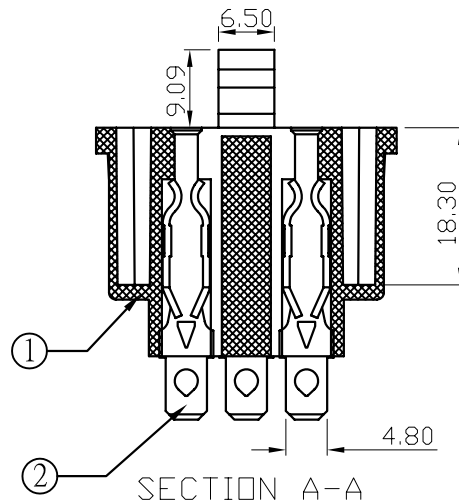
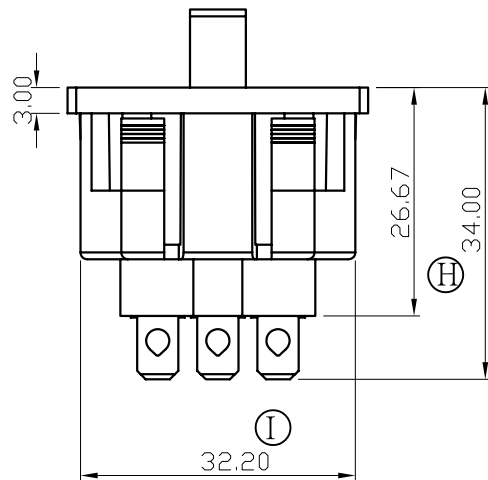
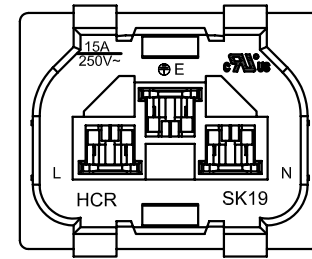
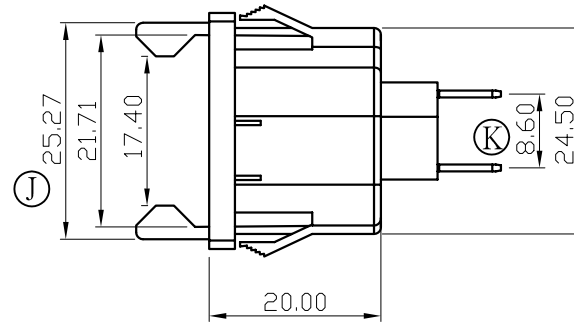
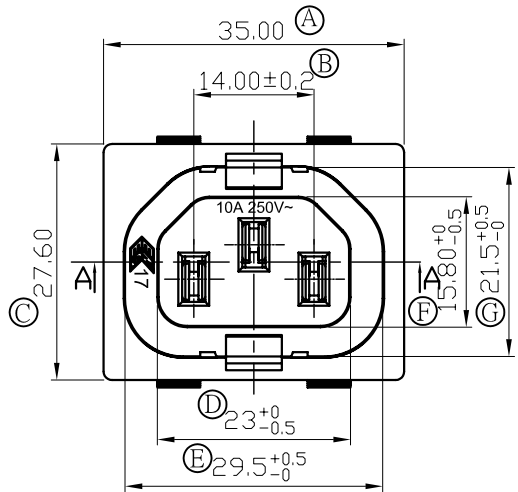
- 1.RATING: 15A 250V~(C-ULus)
10A 250V~(ENEC)
- 2.INSULATION RESISTANCE:100MΩ MIN,AT 500VDC
- 3.ELECTRIC STRENGTH : 3000 VAC/1MIN,LEAKAGE CURRENT UNDER 0.5mA

C.MECHANICAL:

- 1.MATING PLUG EXTRACTION FORCE: 4.0KG EXTRACTION FORCE IS THE MINIMUM ACCEPTADLE

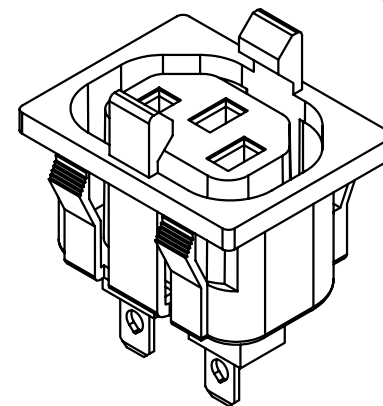
D: APPROVALS: C-ULus, ENEC

- E: MATERIAL USED MUST BE COMPLY WITH HQI-0010**
- F: CAN MEET ROHS**



RECOMMENDED PANEL CUT-OUT THICKNESS: 0.8mm-1.8mm

TOLERANCES UNLESS OTHERWISE 未指定容許差尺寸之公差	
BASIC DIMENSIONS TOLERANCES	
UP TO 10 (10以下)	±0.15
ABOVE 10 TO 30(10~30)	±0.3
ABOVE 30 TO 100(30~100)	±0.5
ANGULAR DIMENSIONS(角度)	±5°
DIMENSION UNIT	mm



東莞市華之力電子有限公司 DONGGUAN HCR ELECTRONICS CO., LTD.

2					核准 APPROVED BY	Aaron Jin	日期 DATE	20121031	投影法 PROJECT		機型 PART NAME	OUTLET SOCKET
1					校對 CHECKED BY	RZTang	日期 DATE	20121031	比例 SCALE	1:1	型號 PART NO	SK19
0	2012/11/15	1.新制訂	A0	WeiChen	繪圖 DRAWN BY	WeiChen	日期 DATE	20121031	路徑 DWG NO	E:\成品圖 SK19\819001	料號 ITEM NO	SK19-0101010121
NO	DATE	REVISION DESCRIPTION	REVISION	DRAWN	APPROVED							